

- 1 Articulated telescopic system**
absorbs movement in 3 directions
- 2 Solid all-metal expansion joint cover**
hard wearing, maintenance-free, long lasting

For extremely high movements
Designed for seismic loads

Expansion joint cover	Joint width max. <i>b_f max</i> [mm]	Total movement thermal Δb_f [mm]	Total movement seismic Δb_f [mm]	Visible width <i>b_s</i> [mm]	Width total <i>b_t</i> [mm]	Installation height <i>h</i> [mm]	Load bearing capacity [kN]
LSP 100	100	60 (±30)	300 (+200/-100)	406	498	45	30
LSP 150	150	60 (±30)	350 (+200/-150)	456	548	45	30
LSP 200	200	60 (±30)	400 (+200/-200)	506	598	45	30
LSP 250	250	60 (±30)	450 (+200/-250)	556	648	45	30
LSP 300	300	60 (±30)	500 (+200/-300)	606	698	45	30
LSP 400	400	60 (±30)	600 (+200/-400)	706	798	45	30
LSP 500	500	60 (±30)	750 (+250/-500)	856	948	45	30

Joint width by the time of installation. Potential tolerance: ± 10 mm

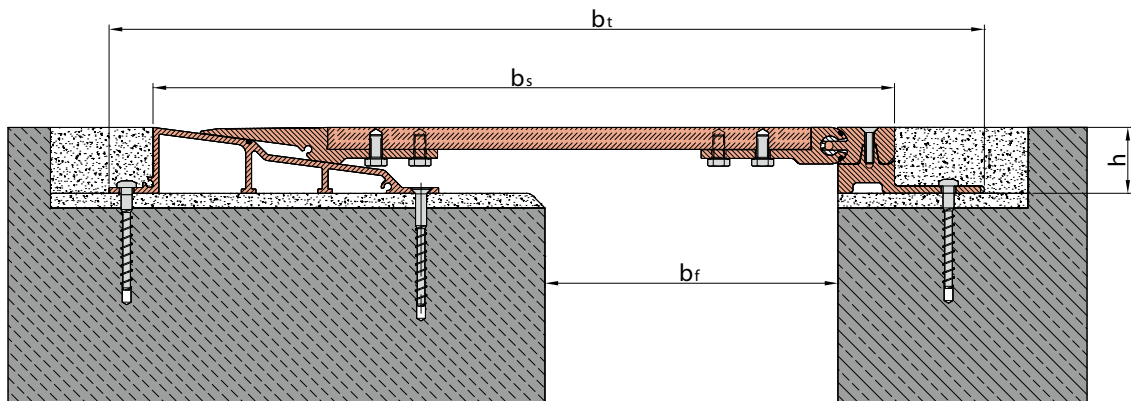
Centre plate available with fine decorative finish

Corner versions will be designed individually. Details submitted project-wise on request.

Further joint widths available on demand.

Production length: 3 m

Standard colour: Aluminium; stainless steel available on demand



WALL CONNECTIONS CORNER VERSIONS

Articulated telescopic system
absorbs movement in 3 directions

Solid all-metal expansion joint cover
hard wearing, maintenance-free, long lasting

For extremely high movements
Designed for seismic loads

Expansion joint cover	Joint width max. b_f max [mm]	Total movement thermal Δb_f [mm]	Total movement seismic Δb_f [mm]	Visible width b_s [mm]	Width total b_t [mm]	Installation height h [mm]	Load bearing capacity [kN]
LSP 100 E4	100	60 (± 30)	300 (+200/-100)	382	412	45	30
LSP 150 E4	150	60 (± 30)	350 (+200/-150)	432	462	45	30
LSP 200 E4	200	60 (± 30)	400 (+200/-200)	482	512	45	30
LSP 250 E4	250	60 (± 30)	450 (+200/-250)	532	562	45	30
LSP 300 E4	300	60 (± 30)	500 (+200/-300)	582	612	45	30
LSP 400 E4	400	60 (± 30)	600 (+200/-400)	682	712	45	30
LSP 500 E4	500	60 (± 30)	750 (+250/-500)	831	862	45	30

Joint width by the time of installation. Potential tolerance: ± 10 mm

Centre plate available with fine decorative finish

Corner versions will be designed individually. Details submitted project-wise on request.

Further joint widths available on demand.

Production length: 3 m

Standard colour: Aluminium; stainless steel available on demand

