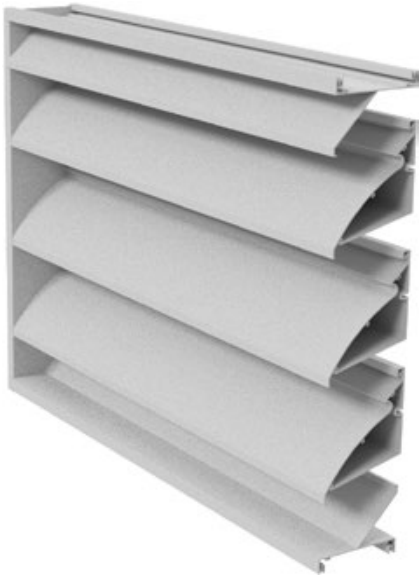


H6451 / 6" STORM RESISTANT LOUVER

STORM RESISTANT LOUVERS

MIGUSHIELD

ARCHITECTURAL LOUVERS



Architectural Louvers	H6451 / 6" Storm Resistant Louver
Louver Type	Mullion or Continuous Line
Louver Depth	6" (152 mm)
Blade Angle	45°
Free Area - 4'x4' Unit	7.53 sq.ft. (0.700 m ²)
Percentage Free Area	47.1 %
Free Area Velocity at Beginning Point of Water Penetration [0.01 oz/ft ²]	653 FPM (3.32 m/s)
Air Volume at Beginning Point of Water Penetration 4'x4' Unit [test duration of 15 minutes]	4917 CFM (2.32 m ³ /s)
Pressure Drop at Beginning Point of Water Penetration	0.067 in. H ₂ O (16.69 Pa)
Notes	Tested without bird screens

System Description

Extruded aluminum construction; frame with channel profile; corner joints mitered and mechanically fastened, with continuous recessed channel each side.

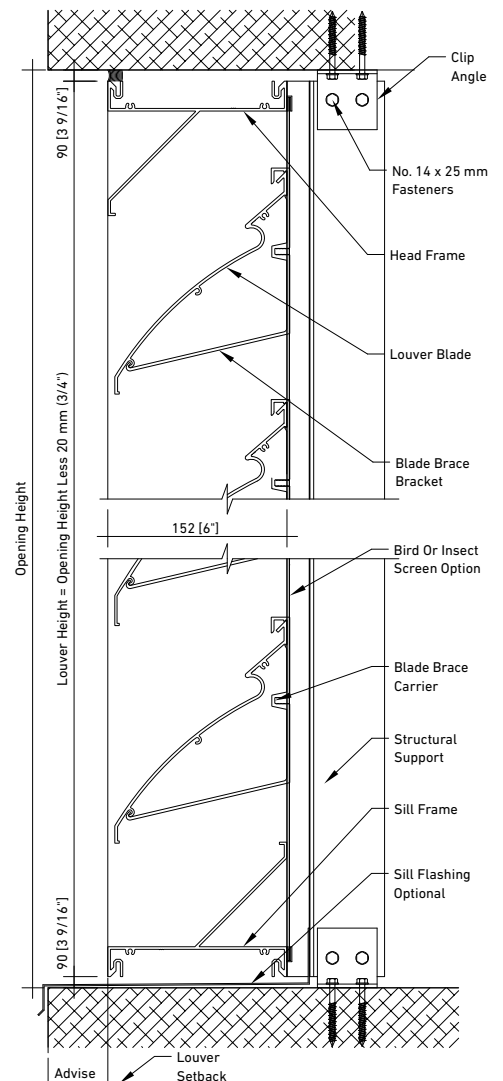
Material

Head, sill, jambs and mullions shall have a minimum thickness of 0.080" (2.0 mm) 6063-T5 aluminum alloy. Blades shall be continuous, 0.090" (2.3 mm) 6063-T5 aluminum alloy with a storm hook design. Louvers shall be supplied with a 1/2" (12 mm), 19 gauge (1 mm) welded and regalvanized wire mesh in a mill finish, aluminum frame. Fasteners shall be standard zinc plated steel or stainless steel.

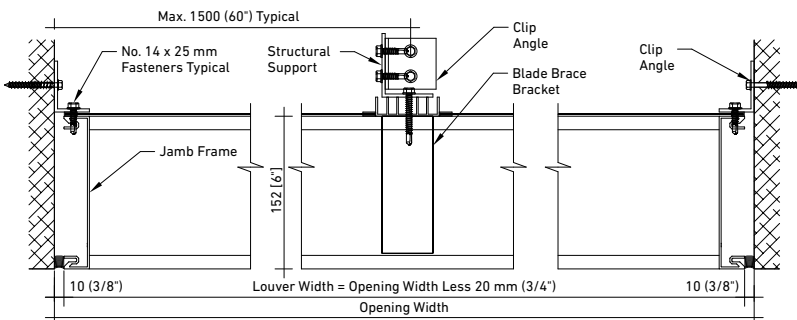
Structural Design

Structural supports shall be designed and furnished by the louver manufacturer to support a wind load of 20 psf (958 Pa), unless specified otherwise. Any louver opening greater than 10' (3 m) high, will require a horizontal girt, at mid span by others.

VERTICAL SECTION



HORIZONTAL SECTION



H6451 / 6" STORM RESISTANT LOUVER

STORM RESISTANT LOUVERS

MIGUSHIELD

ARCHITECTURAL LOUVERS

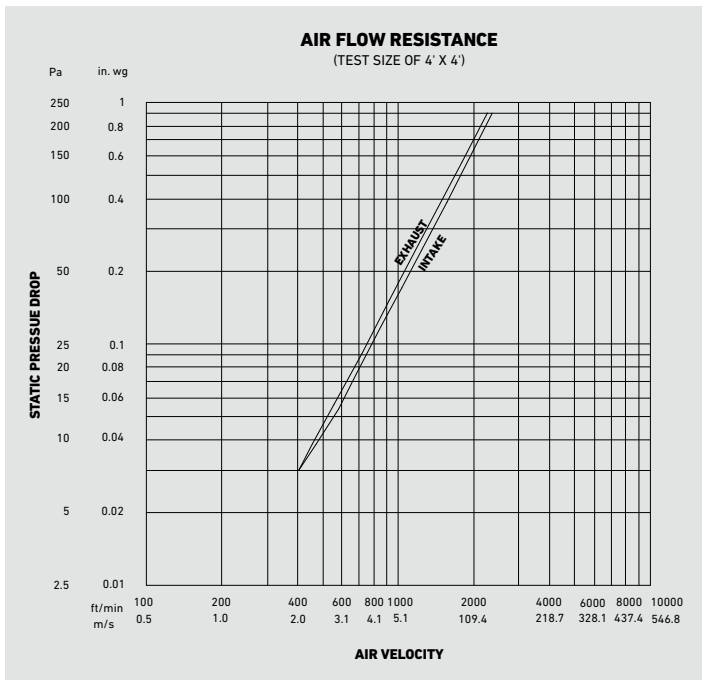
Louver height in inches/millimeters	Louver width in inches/millimeters					
	12 305	24 610	36 914	48 1219	60 1524	
Free area in square ft/square meters						
12 305	0.30 0.03	0.67 0.06	1.05 0.10	1.42 0.13	1.79 0.17	
24 610	0.59 0.06	1.30 0.12	2.01 0.19	2.73 0.25	3.44 0.32	
36 914	1.22 0.11	2.69 0.25	4.15 0.39	5.62 0.52	7.08 0.66	
48 1219	1.64 0.15	3.61 0.34	5.58 0.52	7.53 0.70	9.51 0.88	
60 1524	2.27 0.21	4.99 0.46	7.71 0.72	10.42 0.97	13.14 1.22	
72 1829	2.69 0.25	5.91 0.55	9.13 0.85	12.35 1.15	15.57 1.45	
84 2134	3.10 0.29	6.83 0.63	10.56 0.98	14.28 1.33	18.01 1.67	
96 2438	3.73 0.35	8.21 0.76	12.68 1.18	17.16 1.59	21.64 2.01	
108 2743	4.15 0.39	9.13 0.85	14.11 1.31	19.09 1.77	24.07 2.24	
120 3048	4.57 0.42	10.05 0.93	15.53 1.44	21.01 1.95	26.50 2.46	
132 3353	5.19 0.48	11.43 1.06	17.66 1.64	23.90 2.22	30.13 2.80	
144 3658	5.61 0.52	12.35 1.15	19.09 1.77	25.82 2.40	32.56 3.03	

Finishes

- PE-SDF
- PVDF
- Anodize after fabrication

Options & Accessories

- Bird Screen
- Insect Mesh



MIGUA MIDDLE EAST

www.migua.ae – UAE
A subsidiary of MIGUA FUGENSYSTEME GmbH
Wuelfrath, Germany

Manufactured under license,
from Ten Plus Architectural Products Ltd,
5 -2333 Millrace Court, Mississauga,
Ontario, Canada L5N 1W2