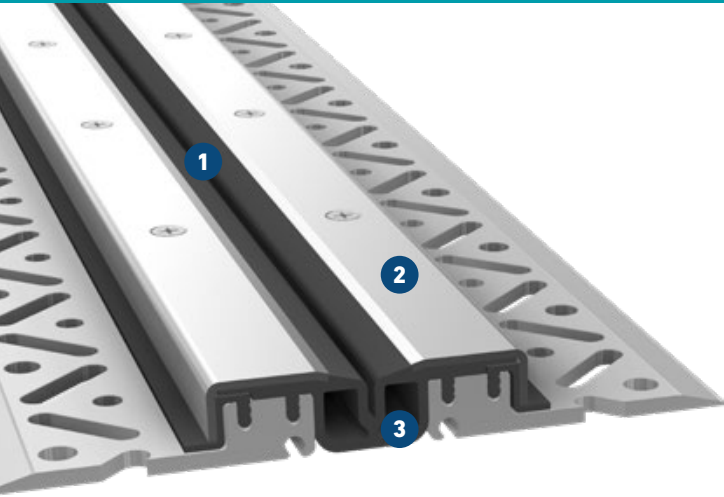


FP 90 NI ss

FOR FLOORS WITH COATING SYSTEMS (SHORT AAS SHEETS)

MIGUTAN

WATERTIGHT EXPANSION JOINT SOLUTIONS



Official test certificates for watertightness available

Central insert with double-web to provide multilayered protection

- 1** **Central insert on top surface**
Visual inspection and replacement without disrupting the surface
- 2** **Striated stainless steel cappings ensures good skid resistance**
100% watertight by max. pressure
- 3** **Mounting brackets are made of high strength aluminium**
High loads without any risk of rust

Connection joint with connection joint filler cover AAP 50/20

Proper and economical connection of the coating system



Fire tested Bfl-s1
(flame retardant)
acc. to DIN EN 13501-1

Expansion joint cover	Joint width max.	Total movement	Visible width	Total width	Joint height	Load bearing capacity	Load bearing capacity	Load bearing capacity	Load bearing capacity
	$b_f \text{ max}$ [mm]	Δb_f [mm]	b_s [mm]	b_t [mm]	h [mm]	[kN]	[kN]	[kN]	solid plastic tyres [kg/mm]
FP 90/25 NI ss	60	40 (±20)	95	222	25	35	600	130	
FP 90/35 NI ss	60	40 (±20)	95	222	35	35	600	130	
FP 90/45 NI ss	60	40 (±20)	95	211	46	35	300	70	
FP 90/60 NI ss	60	40 (±20)	95	222	60	35	300	30	
FP 90/80 NI ss	60	40 (±20)	95	222	81	35	120	30	
FP 90/95 NI ss	60	40 (±20)	95	222	97	35	60		
FP 90/115 NI ss	60	40 (±20)	95	222	117	35	60		

Sealing against nonpressurized water.

Expansion joints with an installation height from 60 mm upwards can be adjusted to higher load capacity. Please ask for our advice.

