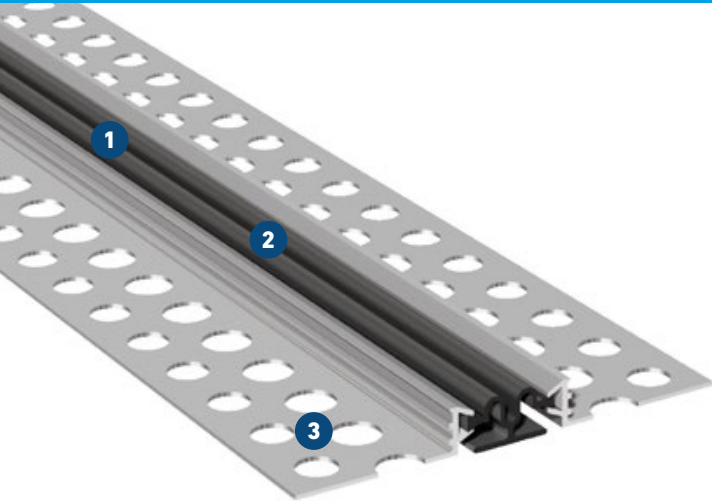


D 12 / DE 12

FOR WALLS AND CEILINGS WITH PLASTER AND TILES

MIGUTEC

JOINT COVERS FOR EXPANSION JOINTS



- 1 Flexible high quality elastomeric insert**
Hard wearing, temperature resistant (-30°C to +120°C), replaceable
- 2 Large movement capacity**
Special flexible folded insert (up to 50 m length)
- 3 MultiHole mounting bracket**
for secure fixing

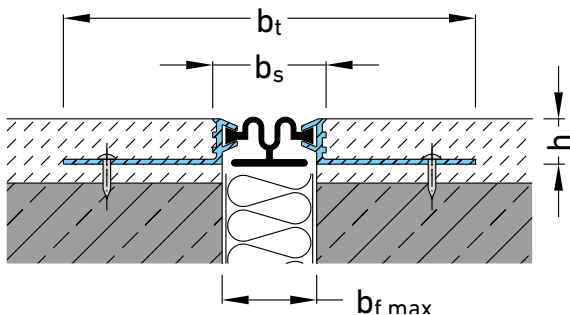
Standard version	Joint width $b_f \text{ max}$ [mm]	Total movement Δb_f [mm]	Visible width b_s [mm]	Total width b_t [mm]	Joint height h [mm]
D 12/3	30	10 (± 5)	32	110	12
D 12/5	75	40 (± 20)	75	155	12
D 12/7	100	50 (± 25)	100	180	12
D 12/9	150	100 (± 50)	150	230	12
D 12/13	200	120 (± 60)	200	280	12
D 12/14	250	180 (± 90)	250	330	12
D 12/18	350	200 (± 100)	350	430	12

Corner version	Joint width $b_f \text{ max}$ [mm]	Total movement Δb_f [mm]	Visible width b_s [mm]	Total width b_t [mm]	Joint height h [mm]
DE 12/4	30	10 (± 5)	22	73	12
DE 12/6	75	40 (± 20)	55	113	12
DE 12/8	100	50 (± 25)	80	138	12
DE 12/11	150	100 (± 50)	125	188	12
DE 12/15	200	120 (± 60)	190	238	12
DE 12/16	250	180 (± 90)	220	288	12
DE 12/22	350	200 (± 100)	390	388	12

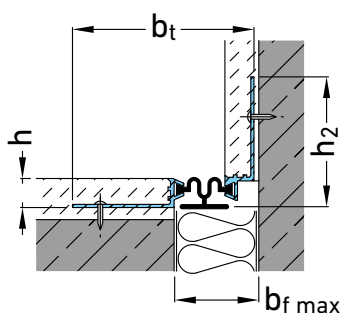
Production length: 4 m

Max. delivery length of the inlay: 50 m

Standard colours: grey. D 12/3 and DE 12/4 also available beige.



Corner version:



Insert for joints D 12/3 and DE 12/4



Insert for joints D 12/5 and DE 12/6



Insert for joints D 12/7 and DE 12/8



Insert for joints D 12/9 and DE 12/11



Insert for joints D 12/13 and DE 12/15